

Electrical Ship's Heaters HGL/MA 500-A

General:

Part number (TKZ) : 80869
Material : Aluminum
Hood color : RAL7001
Mounting position : Vertical



Technical data:

Dimensions (Height x Wide x Depth)	660 mm x 180 mm x 160 mm
Mounting	4x Drilling 10.5 mm (s. fig. below)
Protection class	IP55
Weight	approx. 5 kg (+/- 10%)
Nominal voltage	440V AC/DC
Nominal current	approx. 1.14 A
Wattage	500 W (+/- 10%)
Cable gland	M24 x 1.5
Type	A incl. switch
Ambient temperature	Max. 30 °C

Dimensions:

h (mm)	a (mm)	b (mm)	e1 (mm)	e2 (mm)	e3 (mm)
660	180	160	250	245	140

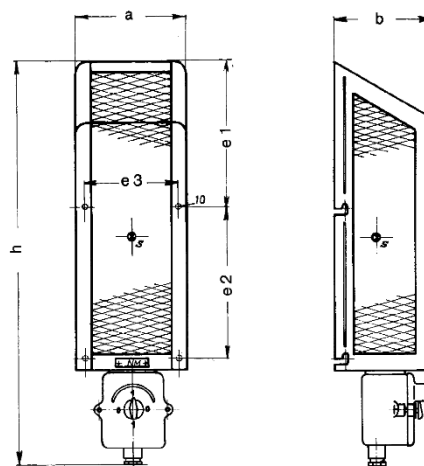


Fig. similar

Date

23.02.2023

Versions-No.:

0

Datasheet-No.:

4.20307.90-1