

Electrical Ship's Heaters HGL/MA 1000-A

General:

Part number (TKZ)	:	80870
Material	:	Aluminum
Hood color	:	RAL7001
Mounting position	:	Vertical



Technical data:

Dimensions (Height x Wide x Depth)	1010 mm x 200 mm x 180 mm
Mounting	4x Drilling 10.5 mm (s. fig. below)
Protection class	IP55
Weight	approx. 8.5 kg (+/- 10%)
Nominal voltage	440V AC/DC
Nominal current	approx. 2.27 A
Wattage	1000 W (+/- 10%)
Cable gland	M24 x 1.5
Type	A incl. switch
Ambient temperature	Max. 30 °C

Dimensions:

h (mm)	a (mm)	b (mm)	e1 (mm)	e2 (mm)	e3 (mm)
1010	200	180	305	550	150

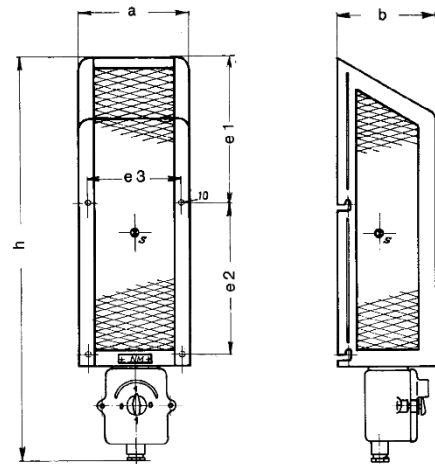


Fig. similar

Date

23.02.2023

Versions-No.:

0

Datasheet-No.:

4.20308.90-1